

## 9. Troubleshooting

### 9.1 Indoor Unit Error Display

Operation lamp	Timer lamp	Display	Error or protection
☆ 1 time	X	E0	Indoor unit EEPROM parameter error
☆ 2 times	X	E1	Indoor / outdoor units communication error
☆ 3 times	X	E2	Zero crossing signal detection error
☆ 4 times	X	E3	Indoor fan speed has been out of control
☆ 5 times	X	E4	Open circuit or short circuit of indoor room temperature T1 sensor
☆ 6 times	X	E5	Open circuit or short circuit of evaporator coil temperature T2 sensor
☆ 7 times	X	EC	Refrigerant Leakage Detection
☆ 2 times	O	F1	Open circuit or short circuit of outdoor ambient T4 temperature sensor
☆ 3 times	O	F2	Open circuit or short circuit of condenser coil temperature T3 sensor
☆ 4 times	O	F3	Open circuit or short circuit of compressor discharge T5 temperature sensor
☆ 5 times	O	F4	Outdoor unit EEPROM parameter error
☆ 6 times	O	F5	Outdoor fan speed has been out of control
☆ 1 times	☆	P0	IPM malfunction or IGBT over-strong current protection
☆ 2 times	☆	P1	Over voltage or over low voltage protection
☆ 3 times	☆	P2	High temperature protection of compressor top diagnosis and solution(only for MS11M-18HRFN1-QRC8Q1W model)
☆ 5 times	☆	P4	Inverter compressor drive error

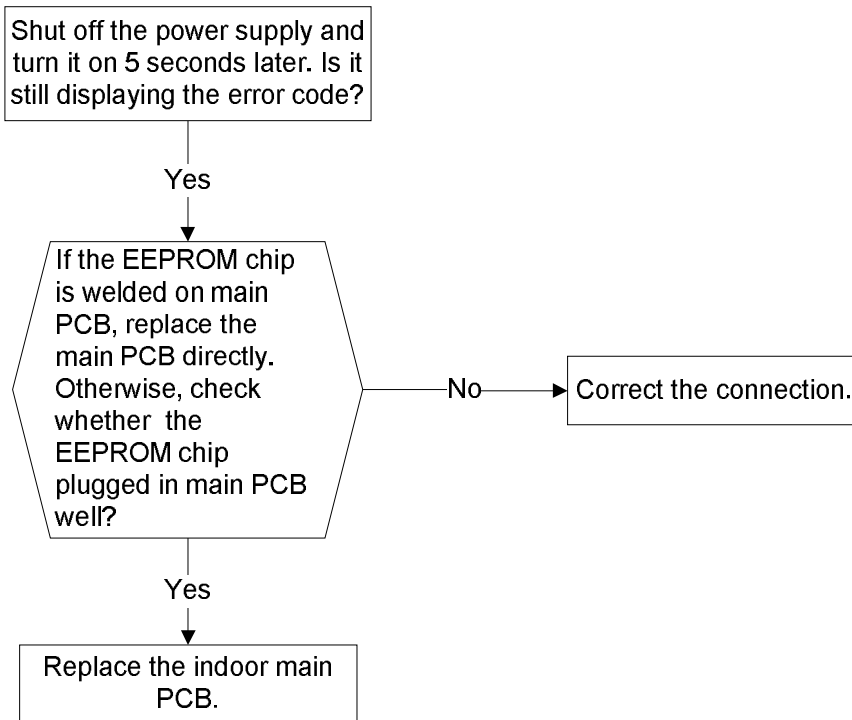
O (light)

X (off)

☆ (flash)

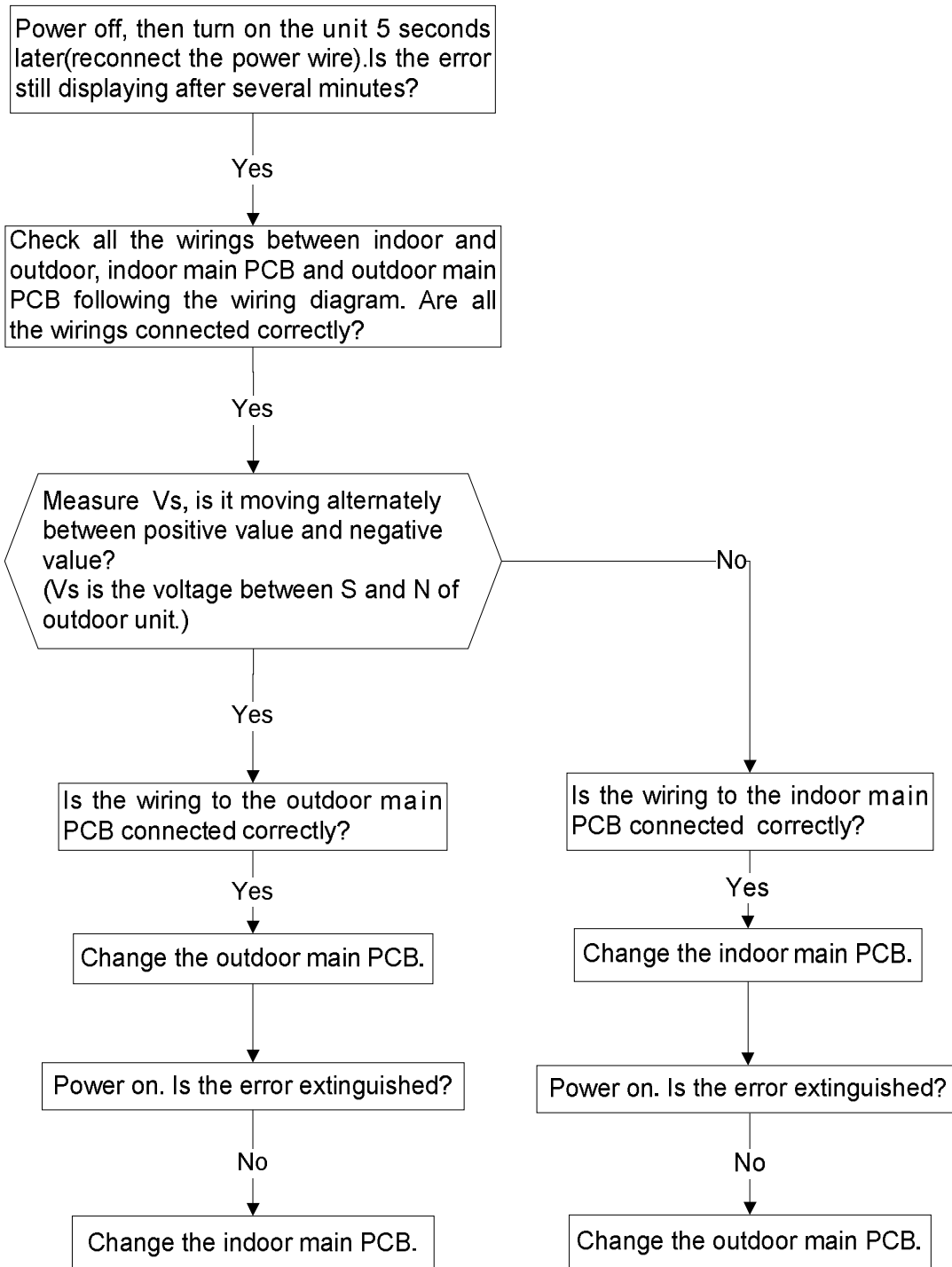
## 9.2 Diagnosis and Solution

### 9.2.1 EEPROM parameter error diagnosis and solution(E0)

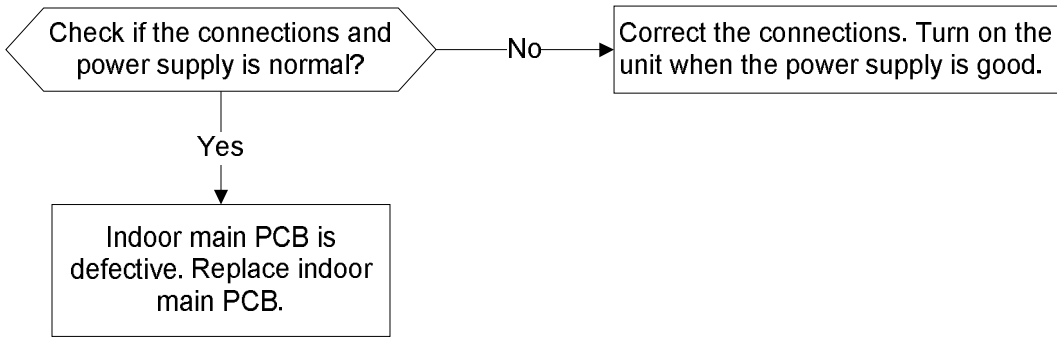


EEPROM: a read-only memory whose contents can be erased and reprogrammed using a pulsed voltage.

### 9.2.2 Indoor unit and outdoor unit communication protection error diagnosis and solution(E1)



### 9.2.3 Zero crossing detection error diagnosis and solution(E2)



### 9.2.4 Fan speed has been out of control diagnosis and solution(E3/F5)

